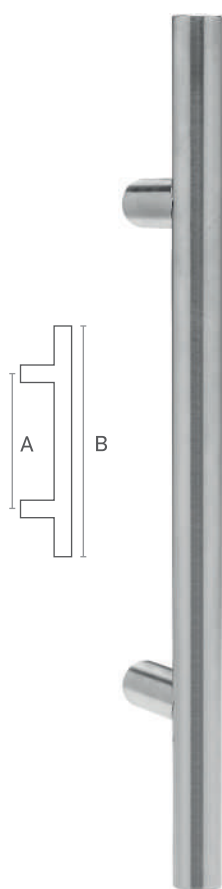




ASAS  
Σ INOX

INOX 304 PARA VIDRO | ALUMÍNIO | MADEIRA

# ASAS INOX LINHA RETA



## Ref.: 1

Ref.: 1.20 - Ø20mm

A=200mm B=350mm  
A=250mm B=400mm  
A=300mm B=450mm  
A=450mm B=600mm  
A=550mm B=700mm

Outras medidas sob consulta

Ref.: 1.25 - Ø25mm

A=250mm B=400mm  
A=300mm B=450mm  
A=450mm B=600mm  
A=600mm B=750mm  
A=900mm B=1050mm  
A=1800mm B=1950mm

Outras medidas sob consulta

Ref.: 1.30 - Ø30mm

A=300mm B=450mm  
A=350mm B=500mm  
A=450mm B=600mm  
A=600mm B=750mm  
A=900mm B=1050mm  
A=1800mm B=1950mm

Outras medidas sob consulta

Ref.: 1.35 - Ø35mm

A=450mm B=600mm  
A=600mm B=750mm  
A=900mm B=1050mm  
A=1800mm B=1950mm

Outras medidas sob consulta

Ref.: 1.40 - Ø40mm

A=600mm B=750mm  
A=900mm B=1050mm  
A=1800mm B=1950mm

Outras medidas sob consulta



## Ref.: 2

Ref.: 2.25 - Ø25mm

250mm  
300mm  
425mm  
600mm  
1250mm

Outras medidas sob consulta

Ref.: 2.30 - Ø30mm

350mm  
425mm  
600mm  
1250mm

Outras medidas sob consulta

Ref.: 2.35 - Ø35mm

425mm  
600mm  
1250mm

Outras medidas sob consulta



## Ref.: 3

Ref.: 3.15 - 15x15mm

250mm  
300mm  
425mm  
600mm

Outras medidas sob consulta

Ref.: 3.20 - 20x20mm

150mm  
200mm  
250mm  
300mm  
425mm  
600mm  
1250mm

Outras medidas sob consulta

Ref.: 3.25 - 25x25mm

250mm  
300mm  
425mm  
600mm  
1250mm

Outras medidas sob consulta

Ref.: 3.30 - 30x30mm

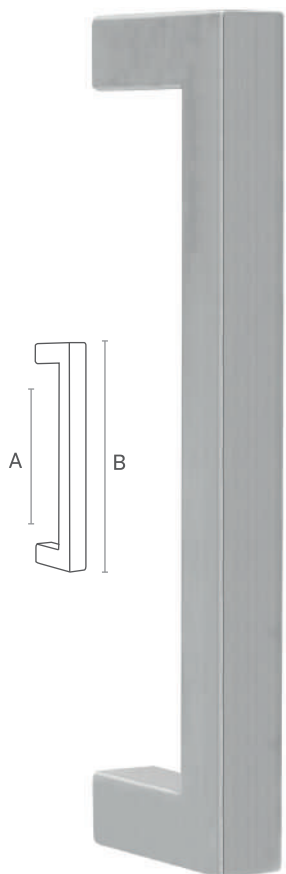
350mm  
425mm  
600mm  
1250mm

Outras medidas sob consulta

Ref.: 3.35 - 35x35mm

425mm  
600mm  
1250mm

Outras medidas sob consulta



## Ref.: 4

Ref.: 4.20 - 20x20mm

A=200mm B=350mm  
A=250mm B=400mm  
A=300mm B=450mm  
A=450mm B=600mm  
A=550mm B=700mm

Outras medidas sob consulta

Ref.: 4.25 - 25x25mm

A=250mm B=400mm  
A=300mm B=450mm  
A=450mm B=600mm  
A=600mm B=750mm  
A=900mm B=1050mm  
A=1800mm B=1950mm

Outras medidas sob consulta

Ref.: 4.30 - 30x30mm

A=300mm B=450mm  
A=350mm B=500mm  
A=450mm B=600mm  
A=600mm B=750mm  
A=900mm B=1050mm  
A=1800mm B=1950mm

Outras medidas sob consulta

Ref.: 4.35 - 35x35mm

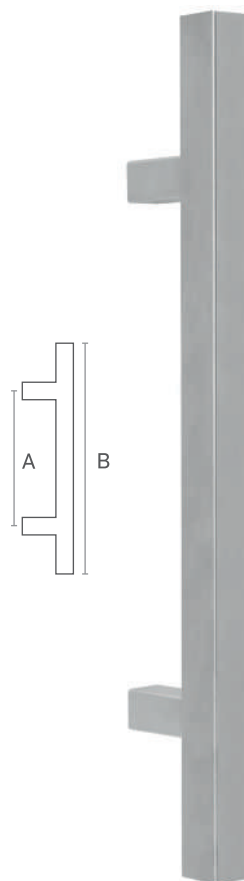
A=450mm B=600mm  
A=600mm B=750mm  
A=900mm B=1050mm  
A=1800mm B=1950mm

Outras medidas sob consulta

Ref.: 4.40 - 40x40mm

A=600mm B=750mm  
A=900mm B=1050mm  
A=1800mm B=1950mm

Outras medidas sob consulta





**Ref.: 5**

Ref.: 5.40 -  $\nabla$ 40x20mm

40x20x350mm  
40x20x425mm  
40x20x600mm  
40x20x1250mm  
40x20x1400mm  
40x20x1800mm

Outras medidas sob consulta

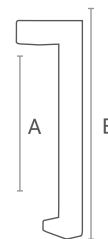


**Ref.: 6**

Ref.: 6.40 -  $\nabla$ 40x20mm

40x20x600mm  
40x20x1250mm

Outras medidas sob consulta



**Ref.: 7**

Ref.: 7.40 -  $\nabla$ 40x20mm

40x20x400mm  
40x20x600mm  
40x20x800mm  
40x20x1000mm  
40x20x1250mm  
40x20x1500mm

Outras medidas sob consulta



**Ref.: 8**

(Tubo redondo  $\varnothing$ 30mm  
Pés Quadrados  $\nabla$ 25x25mm)

Ref.: 8.30 -  $\varnothing$  30mm

A=300mm B=450mm  
A=350mm B=500mm  
A=450mm B=600mm  
A=600mm B=750mm  
A=900mm B=1050mm  
A=1800mm B=1950mm

Outras medidas sob consulta



# ASAS INOX LINHA RETA



**Ref.: 9** Para portas de correr  
(Tubo retangular  $\nabla$ 30x15mm)

Ref.: 9.30 -  $\nabla$ 30x15mm  
30x15x600mm  
Outras medidas sob consulta



**Ref.: 10**  
Ref.: 10.40 -  $\nabla$ 40x20mm

40x20x400mm  
40x20x600mm  
40x20x800mm  
40x20x1000mm  
40x20x1250mm  
40x20x1500mm  
Outras medidas sob consulta



**Ref.: 11**  
Ref.: 11.40 -  $\nabla$ 40x10mm

40x10x350x500mm  
40x10x450x600mm  
40x10x600x750mm  
40x10x900x1050mm

Outras medidas sob consulta



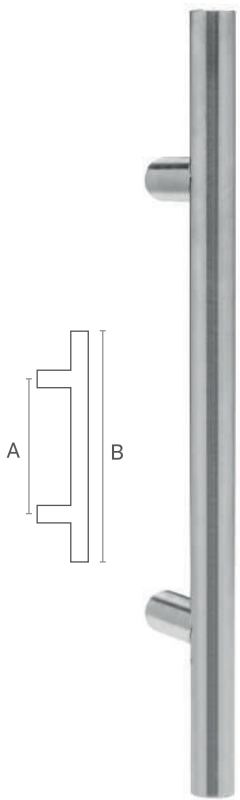
**Ref.: 12**  
Ref.: 12.40 -  $\nabla$ 40x10mm

40x10x500mm  
40x10x600mm  
40x10x1000mm  
40x10x1250mm  
40x10x1500mm

Outras medidas sob consulta



# LINHA SOFT ASAS Σ INOX



## Ref.: 81 PAR

Ref.: 81.25 - Ø25mm

A=200mm B=300mm  
A=300mm B=400mm  
A=300mm B=500mm  
A=400mm B=600mm  
A=500mm B=700mm

MEDIDAS ÚNICAS

## Ref.: 81 SIMPLES

Ref.: 81.25 - Ø25mm

A=200mm B=300mm  
A=300mm B=400mm  
A=300mm B=500mm  
A=800mm B=1000mm

MEDIDAS ÚNICAS

## Ref.: 81 PAR

Ref.: 81.32 - Ø32mm

A=600mm B=800mm  
A=800mm B=1000mm

MEDIDAS ÚNICAS

## Ref.: 81 SIMPLES

Ref.: 81.32 - Ø32mm

A=300mm B=400mm

MEDIDAS ÚNICAS



## Ref.: 82 PAR

Ref.: 82.25 - Ø25mm

A=300mm  
A=500mm  
A=1000mm

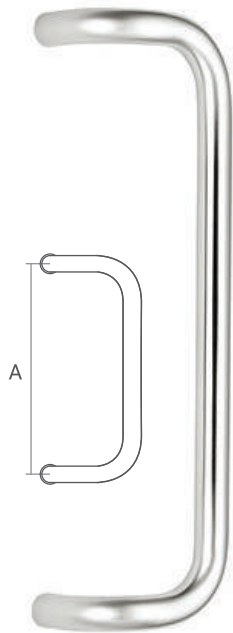
MEDIDAS ÚNICAS

## Ref.: 82 SIMPLES

Ref.: 82.25 - Ø25mm

A=400mm  
A=600mm  
A=1000mm

MEDIDAS ÚNICAS



## Ref.: 80 PAR

Ref.: 80.25 - Ø25mm

A=300mm

MEDIDAS ÚNICAS

## Ref.: 80 SIMPLES

Ref.: 80.25 - Ø25mm

A=300mm

MEDIDAS ÚNICAS

## Ref.: 80 PAR

Ref.: 80.32 - Ø32mm

A=425mm

A=600mm

MEDIDAS ÚNICAS

## Ref.: 80 SIMPLES

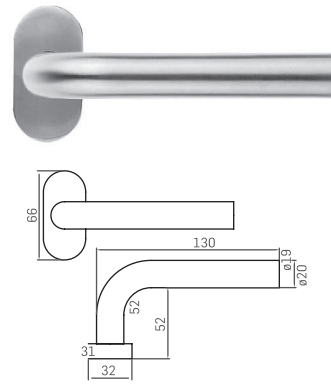
Ref.: 80.32 - Ø32mm

A=425mm

A=500mm

A=600mm

MEDIDAS ÚNICAS

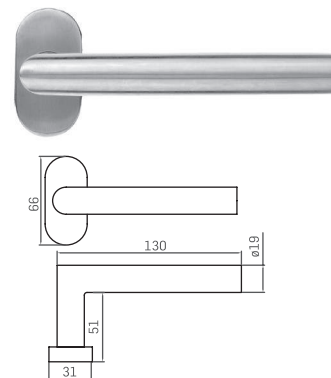


Puxador Tubular Roseta Oval  
C/ Mola De Compensação  
Aço Inox 304  
\*Fornecido com espelho de entrada  
de cilindro

## Ref.: 75 PAR

Ref.: 75.19 - Ø19mm

Embalagem 10 pares.



Puxador Tubular Roseta Oval  
C/ Mola De Compensação  
Aço Inox 304  
\*Fornecido com espelho de entrada  
de cilindro

## Ref.: 77 PAR

Ref.: 77.19 - Ø19mm

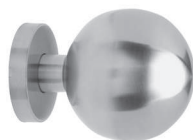
Embalagem 10 pares.



Ø50mm

## Ref.: 70 PAR

Puxador Redondo  
Aço Inox AISI 304  
Puxador c/ Mola Compensação



Ø70mm

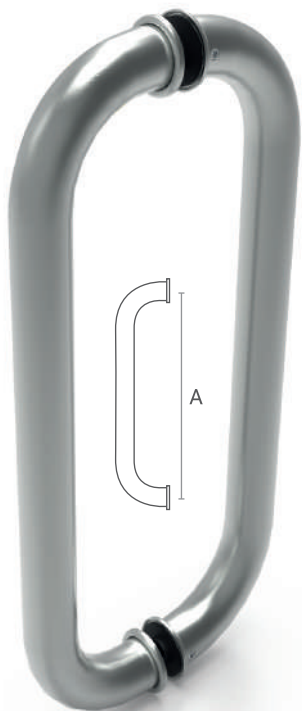
## Ref.: 71 SIMPLES

Puxador Redondo  
Aço Inox AISI 304

# ASAS $\Sigma$ INOX LINHA CURVA

## Ref.: 1000

Furo Ø16mm



Ø25mm

A=300mm  
A=400mm  
A=500mm  
A=600mm  
A=900mm  
A=1200mm  
A=1500mm  
A=2000mm

Ø28mm

A=300mm  
A=400mm  
A=500mm  
A=600mm  
A=900mm  
A=1200mm  
A=1500mm  
A=2000mm

Ø35mm

A=500mm  
A=900mm  
A=1200mm  
A=1500mm  
A=2000mm

Ø40mm

A=500mm  
A=900mm  
A=1200mm  
A=1500mm  
A=2000mm

Outras medidas  
sob consulta

## Ref.: 1003

Furo Ø16mm



Ø25mm

A=300mm  
A=400mm  
A=500mm  
A=600mm  
A=900mm  
A=1200mm  
A=1500mm  
A=2000mm

Ø28mm

A=300mm  
A=400mm  
A=500mm  
A=600mm  
A=900mm  
A=1200mm  
A=1500mm  
A=2000mm

Ø35mm

A=500mm  
A=900mm  
A=1200mm  
A=1500mm  
A=2000mm

Ø40mm

A=500mm  
A=900mm  
A=1200mm  
A=1500mm  
A=2000mm

Outras medidas  
sob consulta

## Ref.: 1004

Furo Ø16mm



Ø25mm

A=300mm  
A=400mm  
A=500mm  
A=600mm  
A=900mm  
A=1200mm  
A=1500mm  
A=2000mm

Ø28mm

A=300mm  
A=400mm  
A=500mm  
A=600mm  
A=900mm  
A=1200mm  
A=1500mm  
A=2000mm

Ø35mm

A=500mm  
A=900mm  
A=1200mm  
A=1500mm  
A=2000mm

Ø40mm

A=500mm  
A=900mm  
A=1200mm  
A=1500mm  
A=2000mm

Outras medidas  
sob consulta

## Ref.: 1005

Furo Ø16mm



Ø25mm

A=300mm  
A=400mm  
A=500mm  
A=600mm  
A=900mm  
A=1200mm  
A=1500mm  
A=2000mm

Ø28mm

A=300mm  
A=400mm  
A=500mm  
A=600mm  
A=900mm  
A=1200mm  
A=1500mm  
A=2000mm

Ø35mm

A=500mm  
A=900mm  
A=1200mm  
A=1500mm  
A=2000mm

Ø40mm

A=500mm  
A=900mm  
A=1200mm  
A=1500mm  
A=2000mm

Outras medidas  
sob consulta

# LINHA CURVA ASAS $\Sigma$ INOX

## Ref.: 1006

Furo  $\varnothing$ 16mm  
 $\varnothing$ 25mm

A=300mm  
 A=400mm  
 A=500mm  
 A=600mm  
 A=900mm  
 A=1200mm  
 A=1500mm  
 A=2000mm

$\varnothing$ 28mm

A=300mm  
 A=400mm  
 A=500mm  
 A=600mm  
 A=900mm  
 A=1200mm  
 A=1500mm  
 A=2000mm

$\varnothing$ 35mm

A=500mm  
 A=900mm  
 A=1200mm  
 A=1500mm  
 A=2000mm

$\varnothing$ 40mm

A=500mm  
 A=900mm  
 A=1200mm  
 A=1500mm  
 A=2000mm

Outras medidas  
 sob consulta



## Ref.: 1007

Furo  $\varnothing$ 16mm  
 $\varnothing$ 25mm

A=200mm  
 A=400mm  
 A=600mm

$\varnothing$ 28mm

A=200mm  
 A=400mm  
 A=600mm

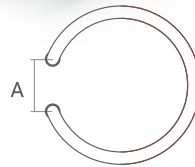
$\varnothing$ 35mm

A=300mm  
 A=500mm

$\varnothing$ 40mm

A=300mm  
 A=500mm

Outras medidas  
 sob consulta

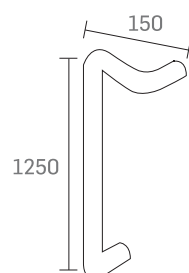


## Ref.: 1011 ESQ.

Furo  $\varnothing$ 16mm  
 $\varnothing$ 35mm

A=1250mm

Outras medidas  
 sob consulta

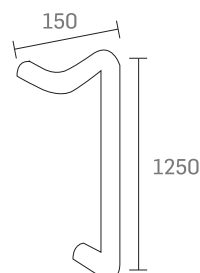


## Ref.: 1011 DRT.

Furo  $\varnothing$ 16mm  
 $\varnothing$ 35mm

A=1250mm

Outras medidas  
 sob consulta





ASAS  
Σ INOX

INOX 304 PARA VIDRO | ALUMÍNIO | MADEIRA